

Instruction Manual

Value Lift Stacker

Part Number: 272940 & 272941



Note: Operator MUST read and understand these operating instructions before using this Lift.

Table of Contents

1	General Information	2
1.1	Description.....	2
1.2	Specifications.....	2
2	Section Identification.....	2
3	Operation.....	3
4	Maintenance.....	3
5	Assembly.....	3
6	Safety Information.....	5
7	Models Manufactured Before 6/2013 Part Information.....	6
7.1	Part Diagram.....	6
7.2	Part List.....	7
8	Models Manufactured After 6/2013 Part Information.....	9
8.1	Part Diagram.....	9
8.2	Part List.....	10

ATTENTION: TO ENSURE SAFE AND EASY USE OF YOUR WESCO VALUE LIFTER, READ THESE INSTRUCTIONS BEFORE USING.

1. GENERAL INFORMATION

NOTE: All of the information reported herein is based on data available at the moment of printing. We reserve the right to modify our own products at any moment without notice and liability in any sanctions. So, it is suggested to always verify possible updates and changes.

1.1 DESCRIPTION

Thank you for purchasing a Wesco Value Lift. This unit features a foot operated hydraulic pump, chrome plated rails and handle, adjustable forks and two 5" polyurethane swivel casters with brakes.

1.2 SPECIFICATIONS

Part Number	272940	272941
Model #	VL47	VL59
Capacity	880 lbs	880 lbs
Platform or Fork W x L	Fork 4.25" x 25.5"	Fork 4.25" x 25.5"
Lift Height	3.5" - 47"	3.5" - 59"
Lowered Height	3.5"	3.5"
Adjustable Fork Width	8.5" - 19.5"	8.5" - 19.5"
Swivel Casters	5" Locking Polyurethane	5" Locking Polyurethane
Load Wheels	3" Rigid Polyurethane	3" Rigid Polyurethane
Load Center	12.75"	12.75"
Weight	178 lbs	187 lbs

2. SECTION IDENTIFICATION

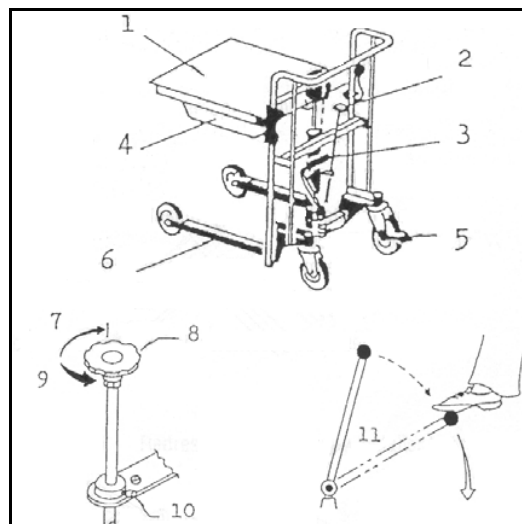


Figure 1

- | | | |
|----------------------------------------|--------------------------------|-------------------------------|
| 1. Platform/Forks | 2. Lowering Valve | 3. Foot Pedal (Pumping Pedal) |
| 4. Drawer (Low Profile without Drawer) | 5. Brake | 6. Chassis |
| 7. Lift | 8. Lowering Valve | 9. Lower |
| 10. Stopper | 11. Foot Pedal (Pumping Pedal) | |

ATTENTION: TO ENSURE SAFE AND EASY USE OF YOUR WESCO VALUE LIFTER, READ THESE INSTRUCTIONS BEFORE USING.

3. OPERATION

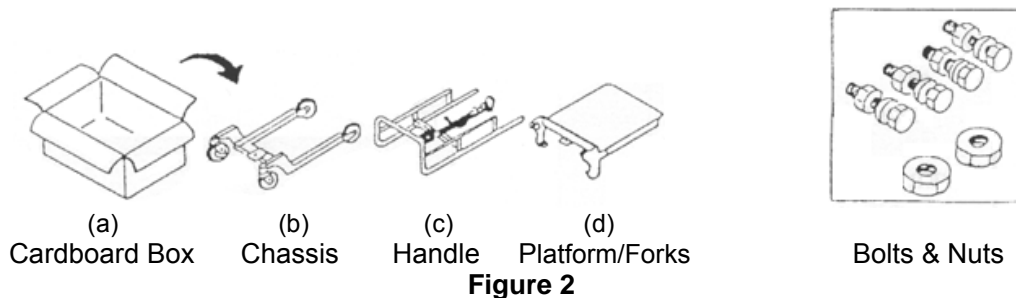
- 1) Raising the platform/forks
Tighten the lowering valve (by turning it clockwise), put down the foot pedal and pump. The platform/forks will proceed to lift.
- 2) Lowering the platform/forks
Loosen the lowering valve (by turning it counter-clockwise), and then the platform/forks will lower.
- 3) Adjusting the lowering speed
To avoid abrupt lowering of the platform/forks when loading goods, the truck is provided with a stopper. When the lowering speed is too quick or too slow, adjust the position of this stopper.

4. MAINTENANCE

- 1) Daily Care
 - If the load chain is corroded, it becomes weak and unreliable, so always lubricate it by applying grease.
 - Unless oil leaks from the pump. It is not necessary to supply oil for about half a year to one year.
 - Usually, when changing oil or replenishing oil, use L-HL68 Hydraulic oil (equivalent to ISO VG68). If temperature is between -5° F - 23° F, Please use L-HL46 Hydraulic oil (equivalent to ISO VG68).
- 2) Periodic Inspection
 - Inspect the chain fixing nut for any looseness and proceed to tighten.
 - Check to make sure the rotating parts are well lubricated.
 - Inspect the wheels for possible wear.
 - Inspect the screw in each part for looseness and tighten where necessary.

5. ASSEMBLY

- 1) Take the assemblies from the cardboard box and disassemble them in the order of (a), (b), (c), and (d) as follows:



Then lay the handle on the floor as shown in Figure 2.

ATTENTION: TO ENSURE SAFE AND EASY USE OF YOUR WESCO VALUE LIFTER, READ THESE INSTRUCTIONS BEFORE USING.

5. ASSEMBLY

- 2) Put the platform/forks into the handle. Note: Insert it between the two rollers of the platform/forks.

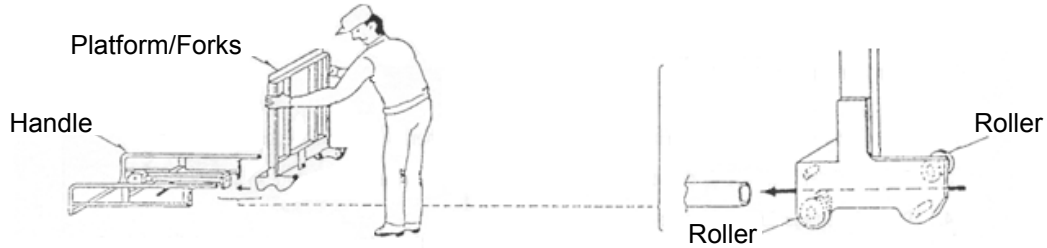


Figure 3

- 3) Attach the Chain, secure by tightening nut.

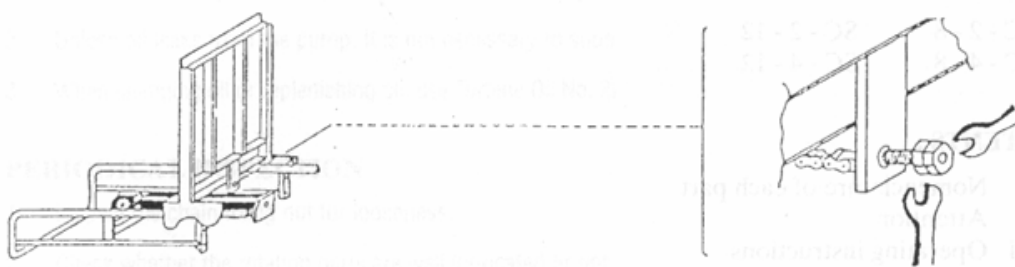


Figure 4

- 4) Invert the unit after attaching the chain, as shown in Figure 5.

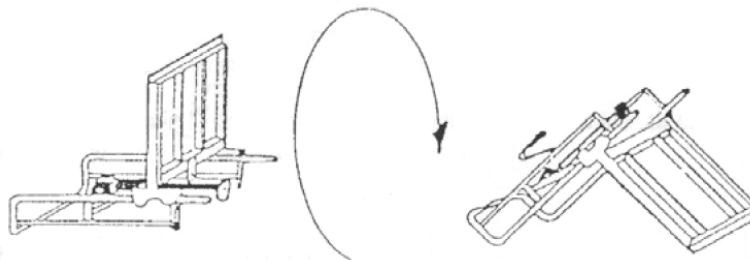


Figure 5

- 5) Attach chassis to platform/forks using (4) bolts. Align the pin of the chassis with the hole in the base of the pump.

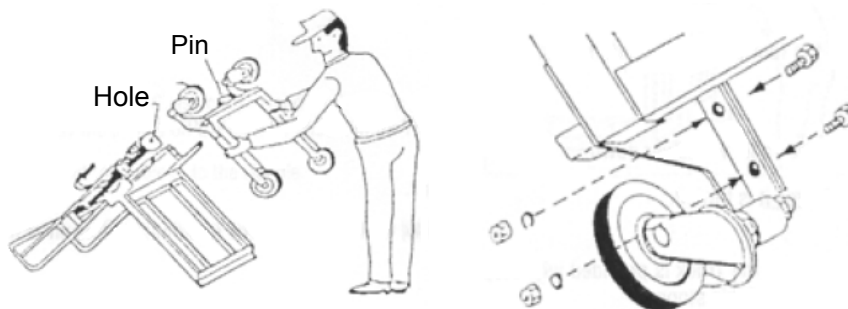


Figure 6

5. ASSEMBLY (CONTINUED)

- 6) Set assembled unit right side up and check points for tightness.

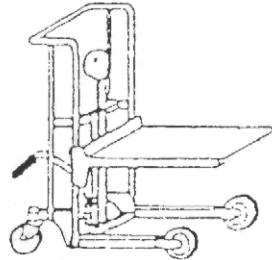


Figure 7

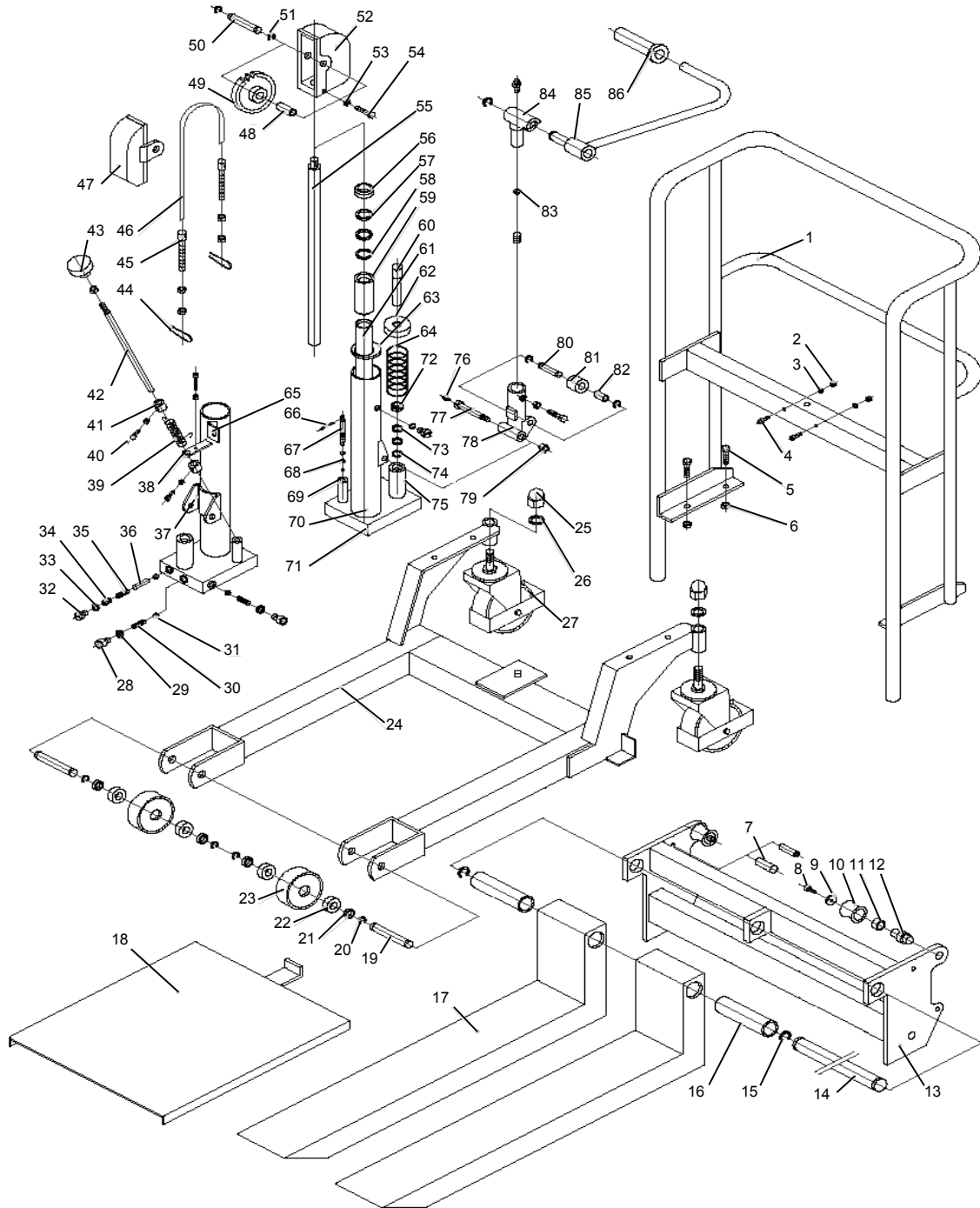
6. SAFETY INFORMATION

- Always perform a pre-operation inspection and perform a function test prior to use.
- Do not use to lift personnel.
- Do not overload the value lifter beyond the rated capacity.
- Do not operate on sloped or rough surfaces.
- Do not move the machine with a raised load, except for minor positioning.
- Do not lift if the load is not properly centered on the forks.
- Do not stand under or allow personnel under the machine when the load is raised.
- Keep hands and fingers away from pulleys, the carriage and other potential pinch points.
- Never leave a machine unattended with a raised load.
- Do not use a machine with less than 4 wraps of cable on the winch drum when the carriage is fully lowered. If you see the red mark on the cable, at least 4 wraps are on the winch drum.
- Do not release grasp on the winch handle until the brake is locked.

ATTENTION: TO ENSURE SAFE AND EASY USE OF YOUR WESCO VALUE LIFTER, READ THESE INSTRUCTIONS BEFORE USING.

7. MODELS MANUFACTURED BEFORE 6/2013 PART INFORMATION

7.1 PART DRAWING



ATTENTION: TO ENSURE SAFE AND EASY USE OF YOUR WESCO VALUE LIFTER, READ THESE INSTRUCTIONS BEFORE USING.

7. MODELS MANUFACTURED BEFORE 6/2013 PART INFORMATION CONTINUED)

7.2 PART LIST

Kit	Replacement Part/ Kit Number	Kit Components		Qty.
		Item	Item Description	
A	172355: Seal Kit	56	Dust Proof Ring	1
		57	O-Ring	2
		58	Nylon Ring	1
		72	Dust Proof Ring	1
		73	O-Ring	1
		74	Nylon Ring	1
B	172415: Handle Kit (*For 272940 Only)	1	Slideway Handrail	1
		2	Nut	2
		3	Washer	2
		4	Internal Hex Bolt	2
		5	Hex Bolt	4
		6	Nut	4
	172424: Handle Kit (*For 272941 Only)	1	Slideway Handrail	1
		2	Nut	2
		3	Washer	2
		4	Internal Hex Bolt	2
		5	Hex Bolt	4
		6	Nut	4
C	172170: Caster Kit	25	Nut	1
		26	Internal Teethed Lock Washer	1
		27	Back Wheel	1
D	172168: Wheel Kit	19	Front Wheel Axle	1
		20	Split Ring	2
		21	Washer	2
		22	Bearing	2
		23	Front Wheel	1
E	172356: Foot Pedal Kit	85	Foot Step Lever	1
		86	Rubber Glove	1
F	172358: Chain Wheel Kit	48	Oil Free Bearing	1
		49	Chain & Wheel	1
		50	CW Axle	1
		51	Split Ring	1
G	172338 Chain Cover Ass'Y	47	Chain Cover (Plastic)	1
		52	Chain Cover (Plastic)	1
H	172353 CHAIN KIT	44	Split Pin	2
		45	Chain Bolt	2
		46	Roller Chain	1
J	172416 Jack Release Kit	39	Torsion Spring	1
		40	Positioning Bolt	1
		41	Positioning Ring	1
		42	Single Direction Valve Pole	1
		43	Handle	1

*Note: Kit G Chain Cover Assembly consists of the plastic cover. This assembly can be used to replace the current plastic cover or the iron cover.

ATTENTION: TO ENSURE SAFE AND EASY USE OF YOUR WESCO VALUE LIFTER, READ THESE INSTRUCTIONS BEFORE USING.

7. MODELS MANUFACTURED BEFORE 6/2013 PART INFORMATION CONTINUED

7.2 PART LIST (CONTINUED)

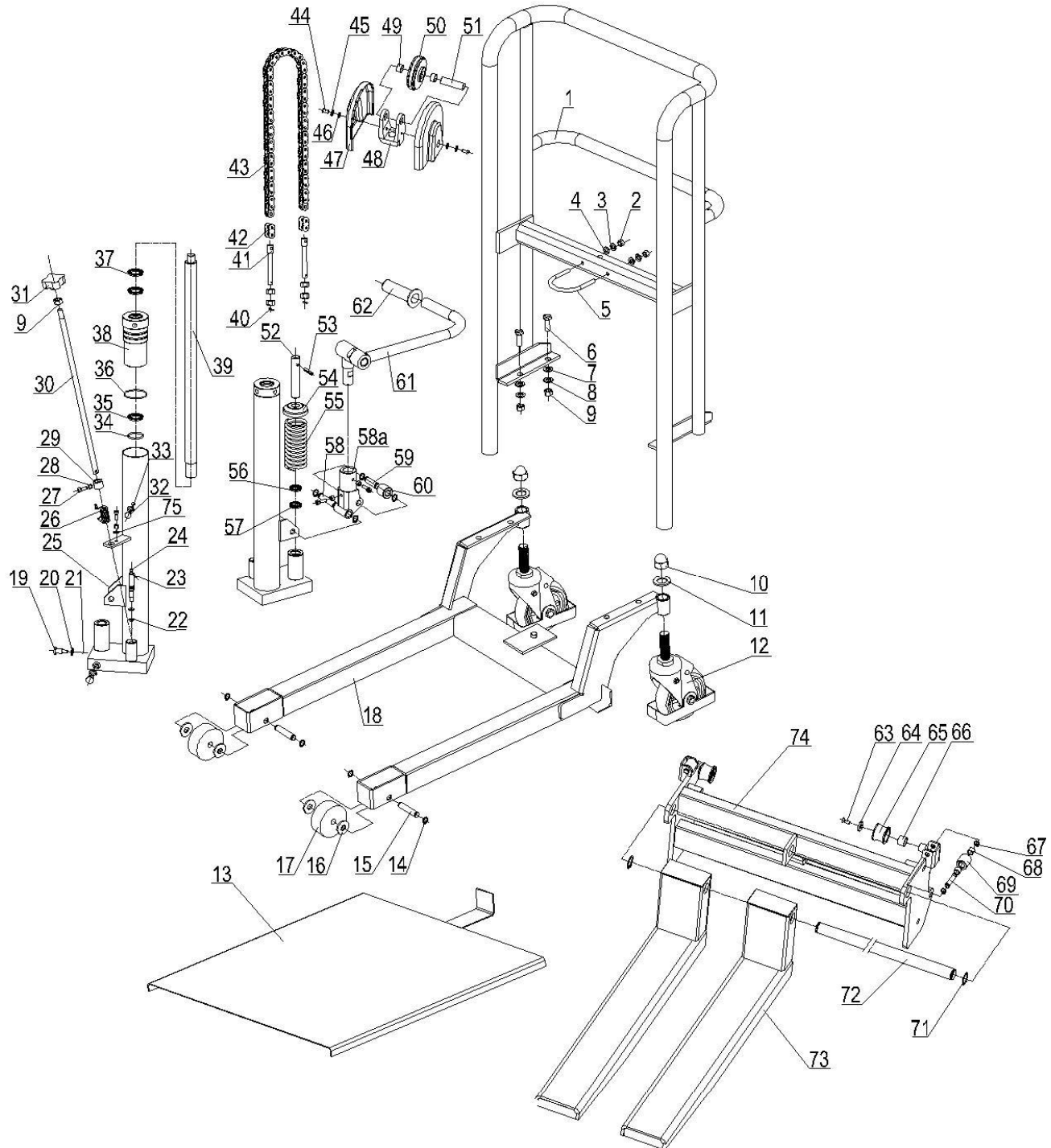
Kit	Replacement Part/ Kit Number	Kit Components		Qty.
		Item	Item Description	
K	172417 Foot Pedal Pump Kit	76	Oil Cup	2
		77	Pump Axle	1
		78	Pump Base	1
		79	Nut	1
		80	Pump Ring Axle	1
		81	Pump Ring	1
		82	Oil Free Bearing	1
		83	Steel Ball	1
		84	Axle Sleeve	1
L	172418 Carriage Kit	7	Shield Pin	4
		8	Hex Bolt	4
		9	Washer	4
		10	Rolling Wheel	4
		11	Oil Free Bearing	4
		12	Rolling Wheel Axle	4
		13	Fixed Rack	1
		14	Long Axle	1
		15	Split Ring	2
	172460 Inner Valve Assembly	66	Cylinder Pin	1
		67	Valve Core	1
		68	O-Ring	2

Item	Part Number	Item Description	Qty.
	172164	Jack	1
	172159	U-Bolt for Welded on Jack	1
	272942	Optional Platform	1
10	172483	Rolling Wheel	1
11		Oil Free Bearing	1
66	172480	Copper Bush Ø18x1	1
67	172481	Circlip for Shaft Ø 10	1
68	172482	Copper Bush Ø 10x1.5	1

ATTENTION: TO ENSURE SAFE AND EASY USE OF YOUR WESCO VALUE LIFTER, READ THESE INSTRUCTIONS BEFORE USING.

8. MODELS MANUFACTURED AFTER 6/2013 PART INFORMATION

8.1 PART DRAWING



ATTENTION: TO ENSURE SAFE AND EASY USE OF YOUR WESCO VALUE LIFTER, READ THESE INSTRUCTIONS BEFORE USING.

8. MODELS MANUFACTURED AFTER 6/2013 PART INFORMATION (CONTINUED)

8.2 PART LIST

Kit	Replacement Part/ Kit Number	Kit Components		Qty.
		Item	Item Description	
A	172445 Seal Kit	22	"O" Ring 7.5x1.8	2
		34	"O" Ring 31.5x3.55	1
		35	UNS Shape Seal 25x33x6	2
		36	"O" Ring 50x3.1	1
		37	Dustproof Ring 25x33x4.5/6	1
		56	Dustproof Ring 18x26x4.5/6	1
		57	UNS Shape Seal 18x26x6	1
B	172415: Handle Kit (*For 272940 Only)	1	Handrail Frame Unit	1
		2	Nut M8	2
		3	Spring Washer Ø8	2
		4	Plain Washer Ø8	2
		5	Cylinder Hoop	1
		6	Hex Bolt M10x30	4
		7	Plain Washer Ø10	4
		8	Spring Washer Ø10	4
		9	Nut M10	9
	172424: Handle Kit (*For 272941 Only)	1	Handrail Frame Unit	1
		2	Nut M8	2
		3	Spring Washer Ø8	2
		4	Plain Washer Ø8	2
		5	Cylinder Hoop	1
		6	Hex Bolt M10x30	4
		7	Plain Washer Ø10	4
		8	Spring Washer Ø10	4
		9	Nut M10	9
C	172170: Caster Kit	10	Hexagon Cap Nut M20	2
		11	Spring Washer Ø20	2
		12	Rear Swivel Caster (5'-M20)	2
D	172168: Wheel Kit	14	Circlip for Shaft Ø12	8
		15	Front Axle	2
		16	Front Wheel Sleeve	4
		17	Front Wheel	2
E	172356: Foot Pedal Kit	61	Foot Pedal Bar	1
		62	Pedal Cushion Cover	1
G	172338: Chain Cover	47	Dustproof Cover (Plastic)	2
H	172353: Chain Kit	40	Split Cotter Ø3	1
		41	Load Chain Connecting Bolt	2
		42	Load Chain Link	2
		43	Load Chain 10A	1

ATTENTION: TO ENSURE SAFE AND EASY USE OF YOUR WESCO VALUE LIFTER, READ THESE INSTRUCTIONS BEFORE USING.

8. MODELS MANUFACTURED AFTER 6/2013 PART INFORMATION (CONTINUED)

8.2 PART LIST (CONTINUED)

Kit	Replacement Part/ Kit Number	Kit Components		Qty.
		Item	Item Description	
J	172464: Jack Release Kit	9	Nut M10	
		26	Torsional Spring	1
		27	Socket Head Cap Screw M6x16	4
		28	Nut M6	4
		29	Fixed Tube	1
		30	Pressure Release Lever	1
		31	Release Knob M10	1
K	172463: Foot Pedal Pump Kit	58	Foot Pedal Base Shaft	1
		58A	Pump Ring	1
		59	Foot Pedal Roller Shaft	1
		60	Roller	1
		61	Foot Pedal Bar	1
		62	Pedal Cushion Cover	1
L	172418: Carriage Kit	63	Hexagon Socket Head Screw M6X16	4
		64	Spacer	4
		65	Support Roller	4
		66	Copper Bush Φ18X1	4
M	172453: Chain Cover Hardware Kit	44	Socket Plain Cap Screw	2
		45	Spring Washer	2
		46	Plain Washer	2
		48	Movable Pulley Mounting base	1
		49	Copper bush Φ15X1	2
		50	Movable Pulley	1
	51	Support Shaft	1	

*Note: Kit G Chain Cover Assembly consists of the Plastic Cover, Axle and Chain Wheel Seat. This assembly can be used to replace the current plastic cover or the iron cover. The Axle and Chain Wheel Seat are only necessary when replacing the iron cover.

Non Kit Items

Part #	Item	Item Description	Qty
172446		Complete Replacement Pump (For 272940 Units) <i>Includes Kits E, J & K listed above</i>	1
172447		Complete Replacement Pump (For 272941 Units) <i>Includes Kits E, J & K listed above</i>	1
172159		U-Bolt For Welded on Jack	1
272942		Optional Platform	1
172184	21	Steel Ball	1
172147	23	Elastic Cylindrical Pin Ø3x18	1
172148	24	Release Valve Bar	1
172485	54	Spring Plate	1
172154	73	Fork	2